

Developed by a professional finisher for professional finishers.

NEW
and
Improved!

BLACK BEAUTY-HD

Patented power unit design and Equilateral Triangle Bar make it the best performing, most reliable, screed available anywhere.



Our crews use the Black Beauty on stack-cast panels, elevated deck slabs and we even use it on our 60,000 square foot laser screeded pours to increase our F-number results.

Jim Winser, President
C.F. Jordan Commercial Group,
Concrete Division.
El Paso, Texas

HD

Improved heavy duty transmission boasts larger clutch drum and structural superiority.

Suspension design provides improved vibration control to the operator and to the drive system.



**ADVANCED
CONCRETE
TOOLS**

P. O. Box 1239 · Bonifay, Florida 32425

800-648-0542

advancedconcretetools.com

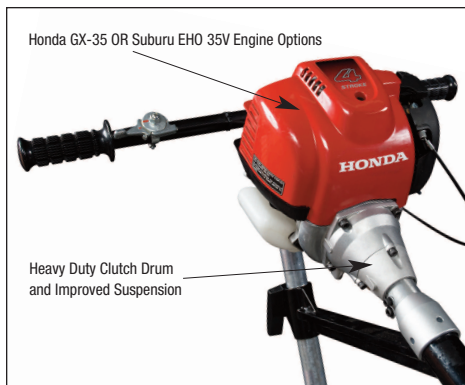
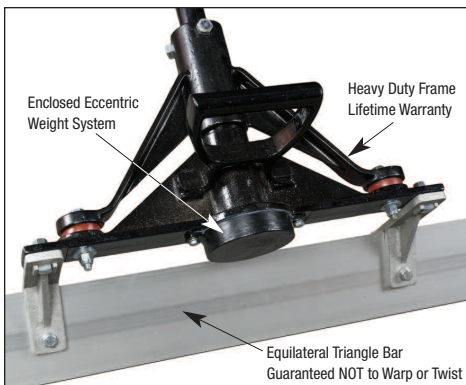
Developed by a professional finisher for professional finishers.

NEW
and
Improved!

BLACK BEAUTY-HD

Patented power unit design and Equilateral Triangle Bar make it the best performing, most reliable, screed available anywhere.

Part #	Model	Engine Option	Rated Horsepower	Operating Weight lbs/kg	
				Lbs	Kg
9700H	Black Beauty-HD	Honda GX-35, 4 Stroke	1.5hp (1.12kw) @ 7000 rpm	33	15
9700R	Black Beauty-HD	Subaru Robin EH035 V, 4 Stroke	1.6hp (1.19kw) @ 7000 rpm	33	15
9700T	Black Beauty-HD	Tanaka 3300, 2 Stroke	1.6hp (1.19kw) @ 5000 rpm	33	15



Part #	Equilateral Triangle Bar Length		Weight	
	Feet	Meters	Lbs	Kg
9804B	4	1.22	8	3.63
9806B	6	1.83	12	5.44
9808B	8	2.44	16	7.26
9810B	10	3.05	20	9.07
9812B	12	3.66	24	10.89
9814B	14	4.27	28	12.70
9816B	16	4.88	32	14.51
9818B	18	5.49	36	16.33
9820B	20	6.10	40	18.14

ONLY WORK WITH THE BEST! The NEW and Improved BLACK BEAUTY-HD.

- 50% more horsepower with the Honda GX-35 and Subaru Robin EH035V engine options.
- The heavy-duty transmission boasts larger clutch drum and structural superiority.
- The suspension design provides improved vibration control to the operator and to the drive system.
- The only screed that can be utilized effectively with up to a **20 ft. Equilateral Triangle Bar**.
- Superior compaction and consolidation performance to any competitive product in extremely low slump concrete.
- Achieves the highest F-Number readings compared to competitive products with combination of power screed and heavy duty Equilateral Triangle Bar.
- The Equilateral Triangle Bar is guaranteed not to warp, bend or twist for life of the product.
- The Adjustable "T" handlebar design allows the operator superior control and maneuverability to maintain a perfectly level bar.
- Maintenance free — No lubrication required on the bearings or shaft. Fully enclosed eccentric weight will not allow concrete to penetrate the drive system.
- Easy and reliable disconnect for transporting the tool or changing bar-lengths.

*The American Concrete Institute (ACI 117) and Canadian Standards Association (CSA A23.1) standard for the specification and measurement of concrete floor flatness and levelness.

Cougar Sales & Rental has been handling the Black Beauty screeds for over 10 years. These units are simply the best screeds we can offer our contractors. Once we get them out on a demo they just don't come back, it's that simple.... We guarantee our customers that we can show them how to pour a stronger, flatter slab for less money and effort. Once we do, 9 out of 10 demos results in the purchase of a new Black Beauty!!!!

Marty Schmitt, V.P. Sales
Cougar Sales & Rental Inc.
Novi, Michigan

Rugged and Reliable Backed by the best warranty in the business.

Full two year unconditional warranty on all parts and labor.

Stainless steel and cast aluminum frame guaranteed not to fail for the life of the tool.
Heavy duty **Equilateral Triangle Bar** guaranteed not to warp bend or twist for life.



**ADVANCED
CONCRETE
TOOLS**

P. O. Box 1239 · Bonifay, Florida 32425

800-648-0542

advancedconcretetools.com